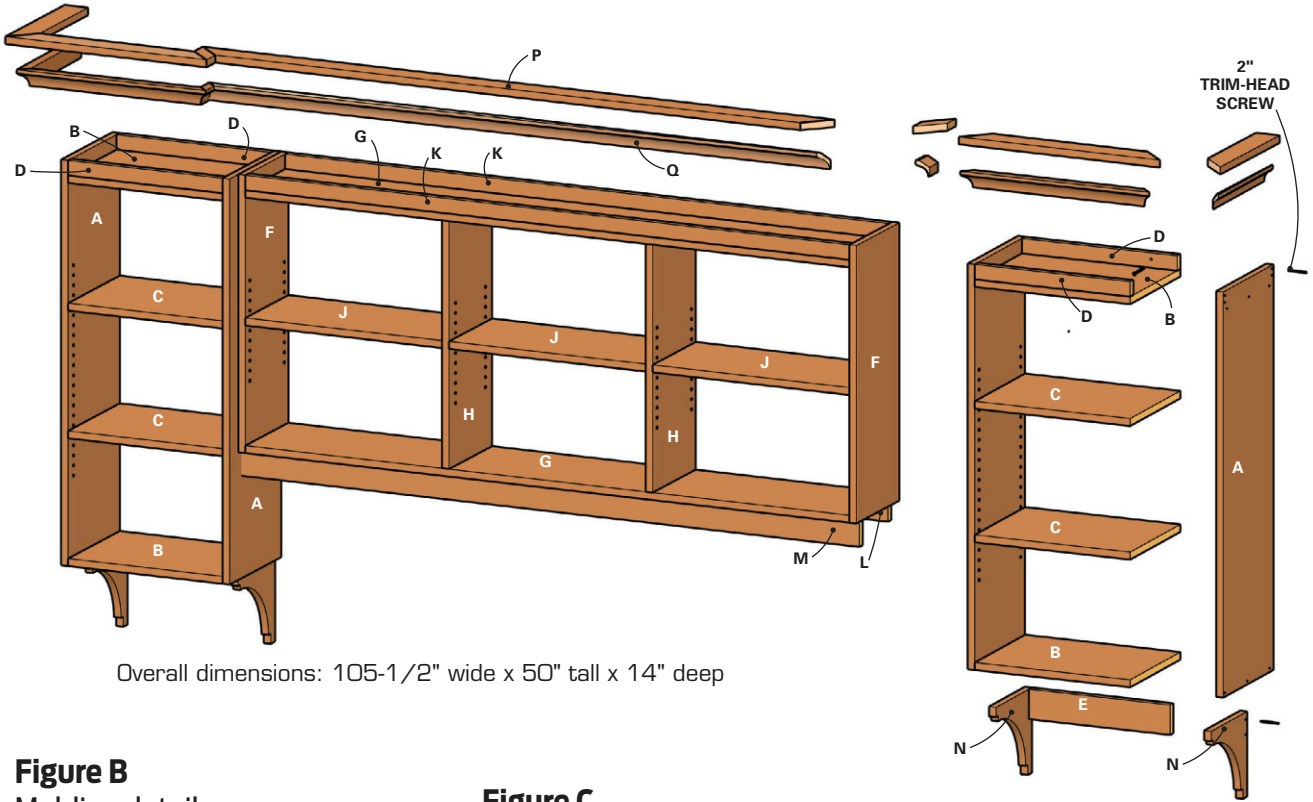


Figure A
Showcase shelving



Overall dimensions: 105-1/2" wide x 50" tall x 14" deep

Figure B
Molding detail

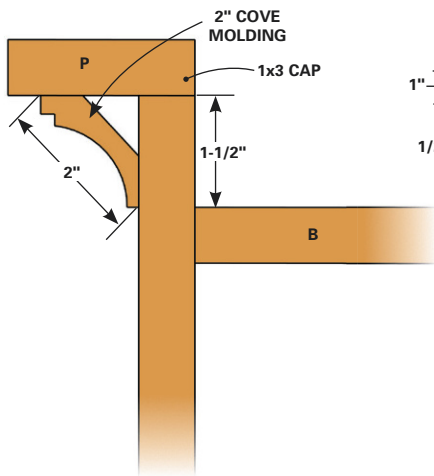
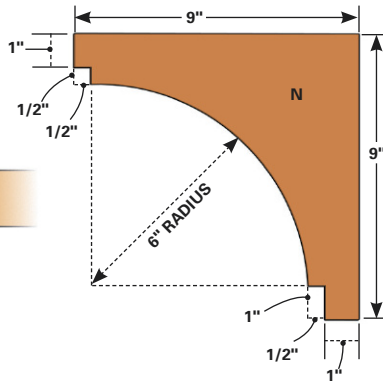


Figure C
Bracket



Materials List

ITEM	QTY.
4' x 8' x 3/4" plywood	2
1x10 board	4 lin. ft.
1x3 board	14 lin. ft.
2" cove molding	14 lin. ft.
Edge-banding veneer	70 lin. ft.
2-3/4" cabinet screws	10
2" trim-head screws	60
1-1/4" trim-head screws	8
1-1/2" finish nails	
1" finish nails	
1/4" shelf pins	28

Figure D
Pegboard jig

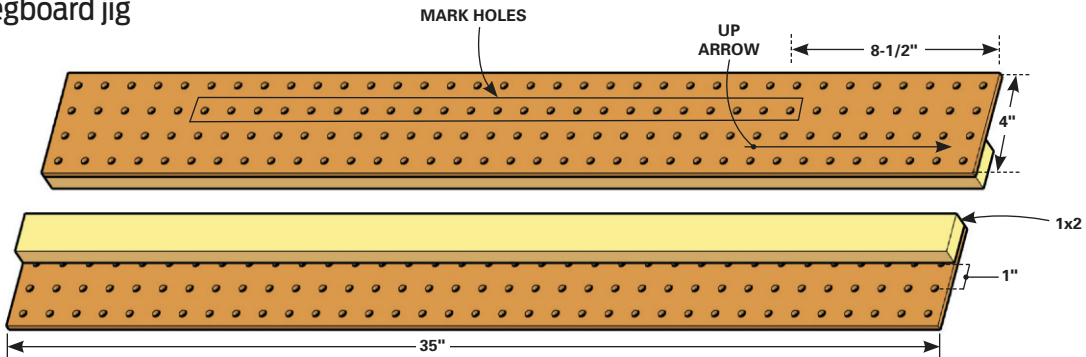
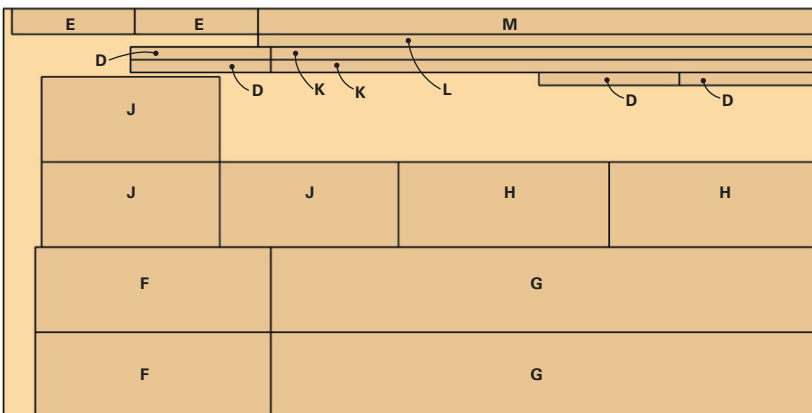
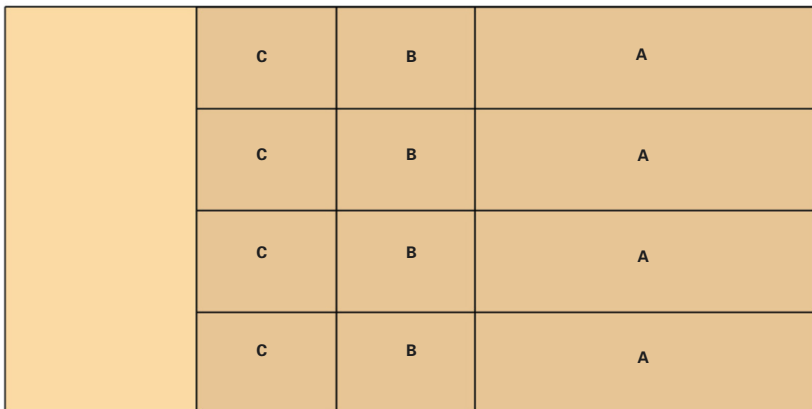


Figure E
Cutting diagrams



Cutting List

KEY	QTY.	DIMENSIONS	NAME
3/4" PLYWOOD			
A	4	11-7/8" x 40"	Outside sides
B	4	11-7/8" x 16-1/2"	Outside tops and bottoms
C	4	11-7/8" x 16-3/8"	Outside shelves
D	4	1-1/2" x 16-1/2"	Outside hanging and filler strips
E	2	3" x 15"	Bracket hanging cleat
F	2	9-7/8" x 27-3/4"	Center sides
G	2	9-7/8" x 64-1/2"	Center top and bottom
H	2	9-7/8" x 24-13/16"	Center dividers
J	3	9-7/8" x 20-7/8"	Center shelves
K	2	1-1/2" x 64-1/2"	Center hanging and filler strips
L	1	1-1/2" x 66"	Center ledger strip
M	1	2-1/2" x 66"	Center light valance
BOARDS AND MOLDING			
N	4	Cut to pattern	Brackets
P	7	3/4" x 2-1/2" (cut to fit)	Cap
Q	7	Cut to fit	Cove molding

perfectly square, you should be able to miter them rather than cope them. But you can use whichever method you prefer. Take your time and expect to spend several hours on this part of the project. There are a lot of little pieces to cut. Keep your fingers a safe distance from the blade by cutting from long lengths.

When you're done mounting the shelves and installing the moldings, nail and screw head holes will be showing. If your shelves are stained, fill the holes with soft wood putty to match. You can even blend colors to get a closer match. For painted shelves, fill the holes with light-weight spackle, let it dry and sand it. Then apply the final coat of finish.

NEW JOHNSON SOFT-CLOSE



SLIDING DOOR HARDWARE

Works like a cabinet door closer. Easy to install. Smoothly pulls door into closed position. Prevents door slamming and pinched fingers. Ideal for use with new or existing Johnson pocket, sliding and wall mount hardware.



www.johnsonhardware.com



Follow us on
Instagram:
[johnsonhardware](https://www.instagram.com/johnsonhardware)

Scan to see
installation
video

