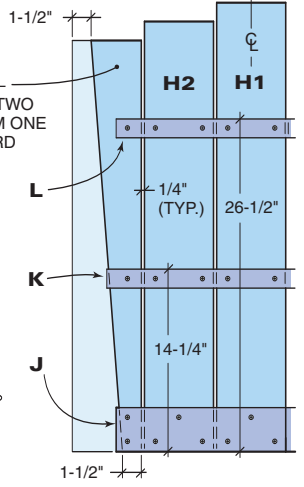
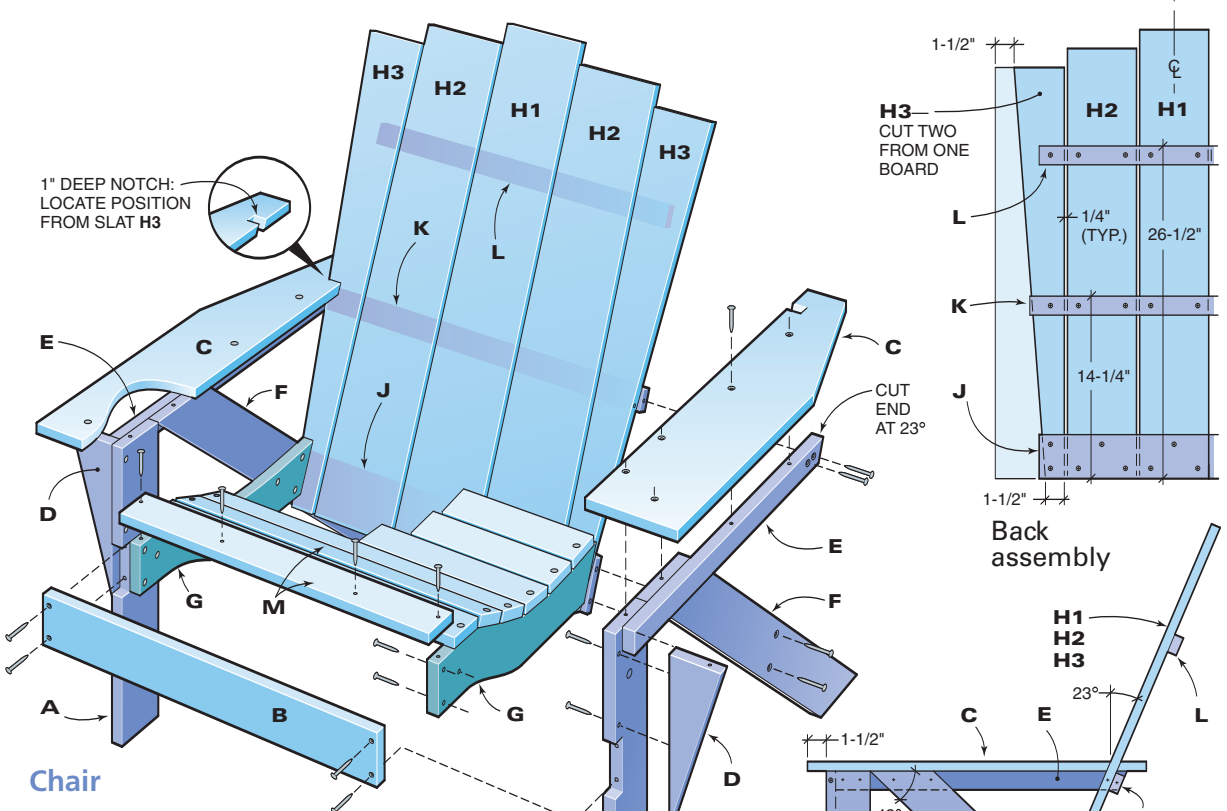
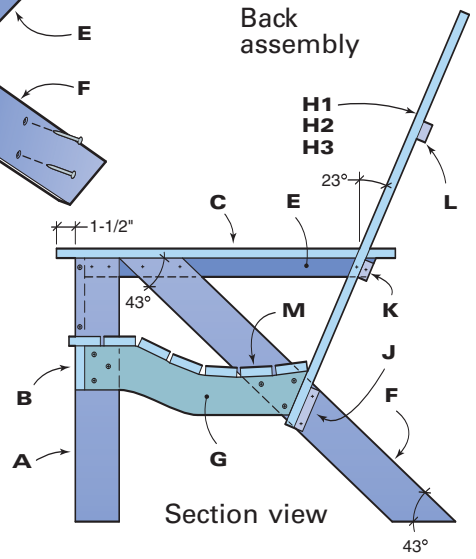


1" DEEP NOTCH:  
LOCATE POSITION  
FROM SLAT H3

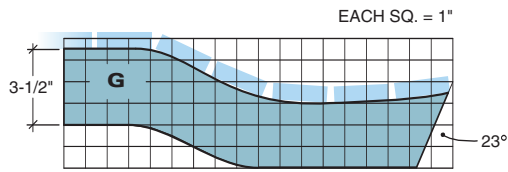


Back assembly

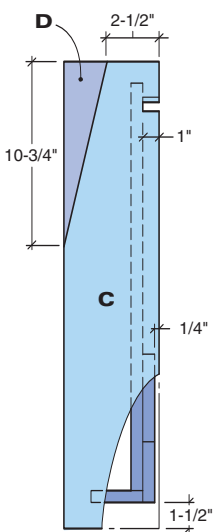


Section view

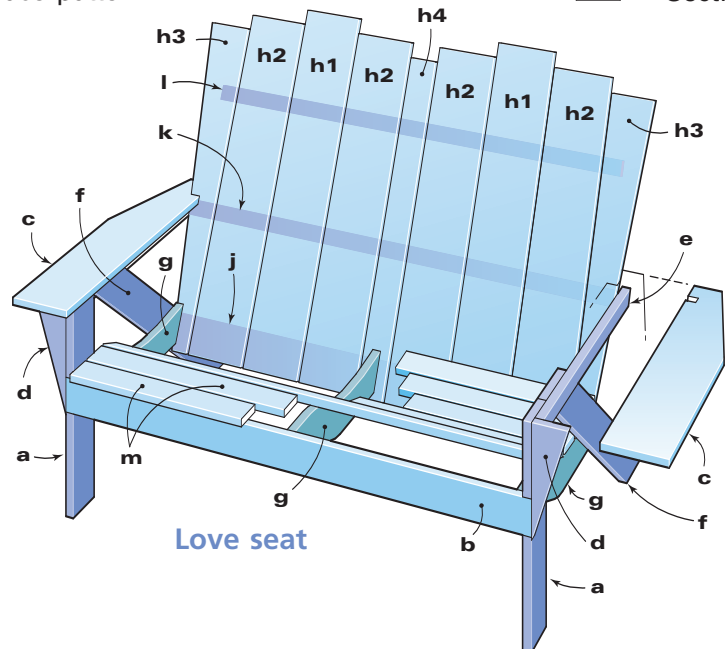
Chair



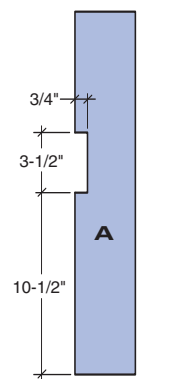
Seat brace pattern



Arm pattern



Love seat



Leg pattern

# Cutting List for Chair

KEY	QTY.	SIZE & DESCRIPTION
A	2	3/4" x 3-1/2" x 21" front legs
B	1	3/4" x 3-1/2" x 23" front stretcher
C	2	3/4" x 5-1/2" x 27" arms
D	2	3/4" x 3" x 10-3/4" triangular arm supports
E	2	3/4" x 1-1/2" x 23-1/4" horizontal arm supports
F	2	3/4" x 3-1/2" x 30-3/4" rear legs
G	2	3/4" x 5-1/2" x 17-3/4" seat braces
H1	1	3/4" x 5-1/2" x 35-3/4" center back slat
H2	2	3/4" x 5-1/2" x 34-1/4" inner back slats
H3	1	3/4" x 5-1/2" x 32-3/4" outer back slats (taper cut into two pieces)
J	1	3/4" x 3-1/2" x 21-1/2" bottom back brace
K	1	3/4" x 1-1/2" x 23" center back brace
L	1	3/4" x 1-1/2" x 21-1/2" top back brace
M	7	3/4" x 2-1/2" x 21-1/2" seat slats

# Cutting List for Love Seat

KEY	QTY.	SIZE & DESCRIPTION
a	2	3/4" x 3-1/2" x 21" front legs
b	1	3/4" x 3-1/2" x 43" front stretcher
c	2	3/4" x 5-1/2" x 27" arms
d	2	3/4" x 3" x 10-3/4" triangular arm supports
e	2	3/4" x 1-1/2" x 23-1/4" horizontal arm supports
f	2	3/4" x 3-1/2" x 30-3/4" rear legs
g	3	3/4" x 5-1/2" x 17-3/4" seat braces
h1	2	3/4" x 5-1/2" x 35-3/4" back slats
h2	4	3/4" x 5-1/2" x 34-1/4" back slats
h3	1	3/4" x 5-1/2" x 32-3/4" outer back slat (taper cut into two pieces)
h4	1	3/4" x 2-1/2" x 32-3/4" center back slat (trim to fit)
j	1	3/4" x 3-1/2" x 41-1/2" bottom back brace
k	1	3/4" x 1-1/2" x 43" center back brace
l	1	3/4" x 1-1/2" x 41-1/2" top back brace
m	7	3/4" x 2-1/2" x 41-1/2" seat slats